



PIPETITE

www.csidesigns.com • www.csidesigns.com • www.csidesigns.com

Pipetite can seal a connection while allowing for significant movement of the pipe. Pre-drilled holes make installation simple, and a large range of sizes are available.



- Available in five sizes to suit 3/16" to 7" tube
- Hygienic white silicone and 316 stainless steel
- Totally self sealing - no sealant required
- Seal is flexible to accommodate movement
- No cracking of silicone
- 500°F temperature rating
- No clean-up after installation
- Materials compatible with cleaning solution
- Pre-drilled for quick and easy installation

800.654.5635





CENTRAL STATES INDUSTRIAL

Pipetite

UNITS PRE-CUT FOR TUBE

TUBE SIZE	PART NUMBER
1	PT1-100
1.5	PT2-150
2	PT2-200
2.5	PT2-250
3	PT3-300
4	PT4-400
6	PT5-600

Note: All dimensions are in inches.

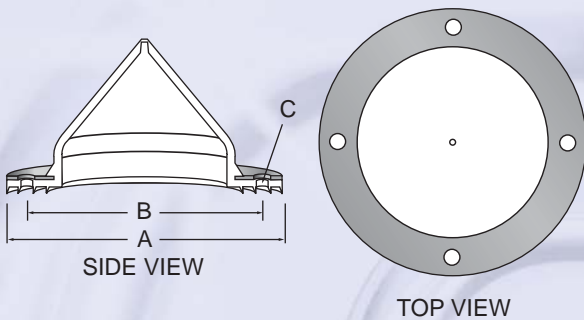


UN-CUT UNIT DIMENSIONS AND PART NUMBERS

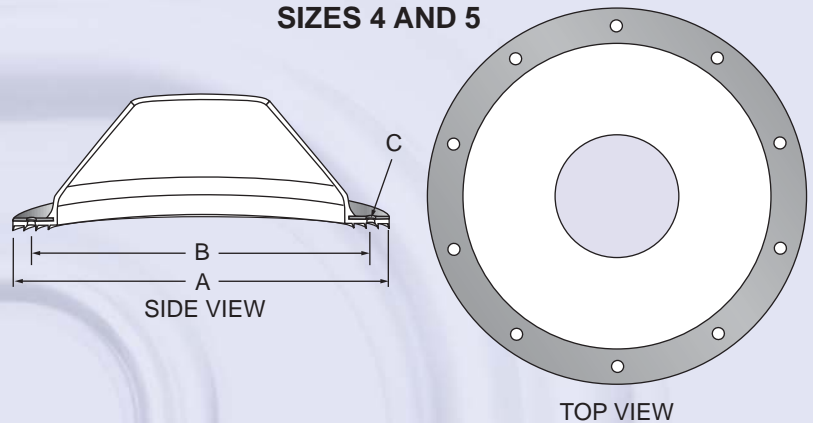
SIZE	TUBE/PIPE SIZE RANGE	DIM "A" BASE DIAMETER	DIM "B" BOLT CIRCLE	DIM "C" HOLE SIZE	PART NUMBER
1	0 - 1.00	2.76	2.24	0.177	PT1-000
2	0 - 2.56	4.17	3.58	0.177	PT2-000
3	0 - 3.74	5.79	5.04	0.177	PT3-000
4	2.76 - 5.31	7.36	6.61	0.177	PT4-000
5	3.94 - 7.09	9.33	8.39	0.177	PT5-000

Note: All dimensions are in inches.

SIZES 1, 2 AND 3



SIZES 4 AND 5



STATE OF THE ART
CENTRAL STATES INDUSTRIAL
PIPETITE



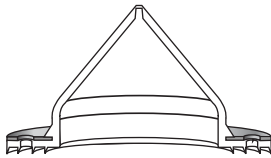
**CENTRAL STATES
INDUSTRIAL**

EQUIPMENT & SERVICE, INC.
2700 PARTNERSHIP BLVD.
SPRINGFIELD, MO 65803

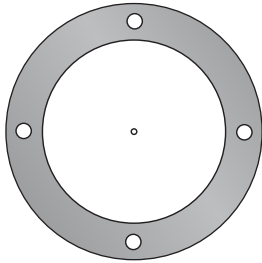
800.654.5635

WWW.CSIDESIGNS.COM

SIZES 1, 2 AND 3

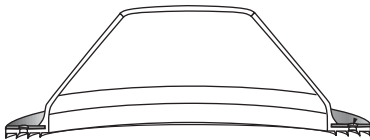


SIDE VIEW

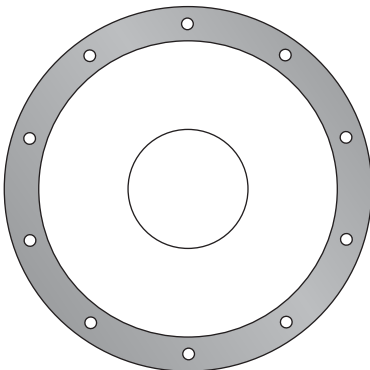


TOP VIEW

SIZES 4 AND 5



SIDE VIEW



TOP VIEW

PIPETITE DETAIL SHEET

SIZE	NOMINAL TUBE / PIPE SIZE	ACTUAL TUBE / PIPE OD	BASE DIAMETER	BOLT CIRCLE DIAMETER	BOLT HOLE DIAMETER	PART NUMBER
1	Uncut	0 - 1	2.76	2.24	0.177	PT1-000
	1/4 tube	0.250				PT1-025
	3/8 tube	0.375				PT1-038
	1/2 tube	0.500				PT1-050
	3/4 tube	0.750				PT1-075
	1/2 pipe	0.840				PT1-084
	1 tube	1.000				PT1-100
2	Uncut	0 - 2.56	4.17	3.58	0.177	PT2-000
	1/4 tube	0.250				PT2-025
	3/8 tube	0.375				PT2-038
	1/2 tube	0.500				PT2-050
	3/4 tube	0.750				PT2-075
	1/2 pipe	0.840				PT2-084
	1 tube	1.000				PT2-100
	3/4 pipe	1.050				PT2-105
	1-1/4 tube	1.250				PT2-125
	1 pipe	1.315				PT2-132
	1-1/2 tube	1.500				PT2-150
	1-1/4 pipe	1.660				PT2-166
	1-1/2 pipe	1.900				PT2-190
	2 tube	2.000				PT2-200
	2 pipe	2.375				PT2-238
2-1/2 tube	2.500	PT2-250				
3	Uncut	0 - 3.74	5.79	5.04	0.177	PT3-000
	1/4 tube	0.250				PT3-025
	3/8 tube	0.375				PT3-038
	1/2 tube	0.500				PT3-050
	3/4 tube	0.750				PT3-075
	1/2 pipe	0.840				PT3-084
	1 tube	1.000				PT3-100
	3/4 pipe	1.050				PT3-105
	1-1/4 tube	1.250				PT3-125
	1 pipe	1.315				PT3-132
	1-1/2 tube	1.500				PT3-150
	1-1/4 pipe	1.660				PT3-166
	1-1/2 pipe	1.900				PT3-190
	2 tube	2.000				PT3-200
	2 pipe	2.375				PT3-238
	2-1/2 tube	2.500				PT3-250
	2-1/2 pipe	2.875				PT3-288
	3 tube	3.000				PT3-300
	3 pipe	3.500				PT3-350
	4	Uncut				2.76 - 5.31
2-1/2 pipe		2.875	PT4-288			
3 tube		3.000	PT4-300			
3 pipe		3.500	PT4-350			
3-1/2 pipe		4.000	PT4-400			
4 tube		4.000	PT4-400			
4 pipe		4.500	PT4-450			
5	Uncut	3.94 - 7.09	9.33	8.39	0.177	PT5-000
	3-1/2 pipe	4.000				PT5-400
	4 tube	4.000				PT5-400
	4 pipe	4.500				PT5-450
	5 pipe	5.563				PT5-556
	6 tube	6.000				PT5-600
6 pipe	6.625	PT5-663				

Note: Highlighted sizes are in stock. All dimensions are in inches.