



PIPETITE STANDARD

www.pipetite.us • www.pipetite.us • www.pipetite.us • www.pipetite.us

Pipetite can seal a connection while allowing for significant movement of the pipe. Pre-drilled holes make installation simple, and a large range of sizes are available.



- Available in five sizes to suit 3/16" to 7" tube
- Hygienic white silicone and 316 stainless steel
- Totally self sealing - no sealant required
- Seal is flexible to accommodate movement
- No cracking of silicone
- 500°F temperature rating
- No clean-up after installation
- Materials compatible with cleaning solution
- Pre-drilled for quick and easy installation

800.654.5635



Pipetite Standard

UNITS PRE-CUT FOR TUBE

TUBE SIZE	PART NUMBER
1	PT1-100
1.5	PT2-150
2	PT2-200
2.5	PT2-250
3	PT3-300
4	PT4-400
6	PT5-600

Note: All dimensions are in inches.

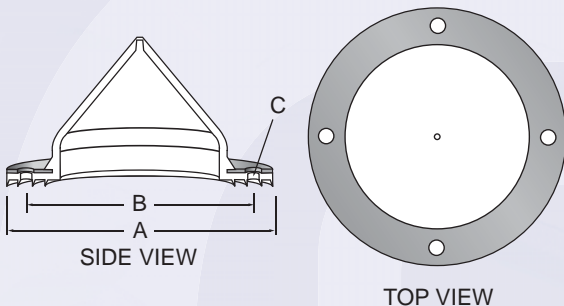


UN-CUT UNIT DIMENSIONS AND PART NUMBERS

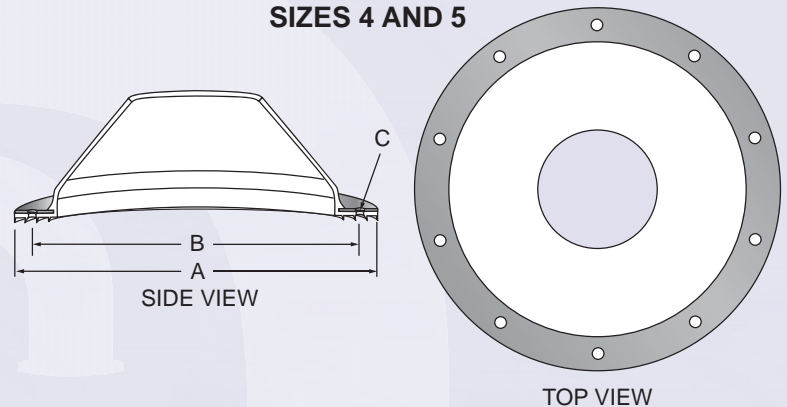
SIZE	TUBE / PIPE SIZE RANGE	DIM "A" BASE DIAMETER	DIM "B" BOLT CIRCLE	DIM "C" HOLE SIZE	PART NUMBER
1	0 - 1.00	2.76	2.24	0.177	PT1-000
2	0 - 2.56	4.17	3.58	0.177	PT2-000
3	0 - 3.74	5.79	5.04	0.177	PT3-000
4	2.76 - 5.31	7.36	6.61	0.177	PT4-000
5	3.94 - 7.09	9.33	8.39	0.177	PT5-000

Note: All dimensions are in inches.

SIZES 1, 2 AND 3



SIZES 4 AND 5



PIPETITE STANDARD
BRINGING INNOVATION TO PROCESS SYSTEMS